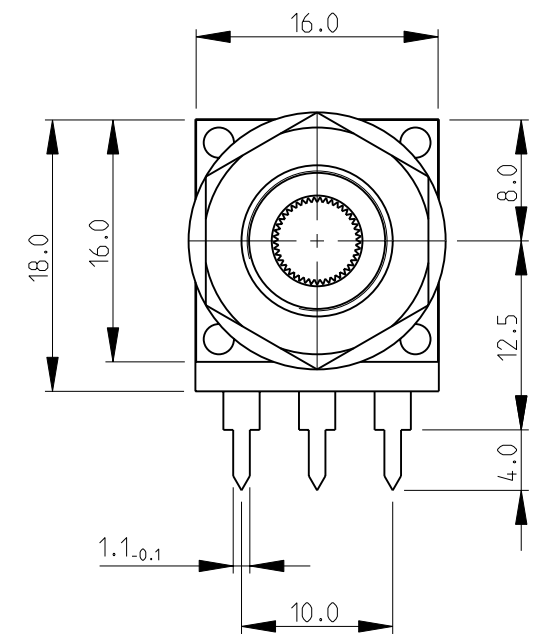
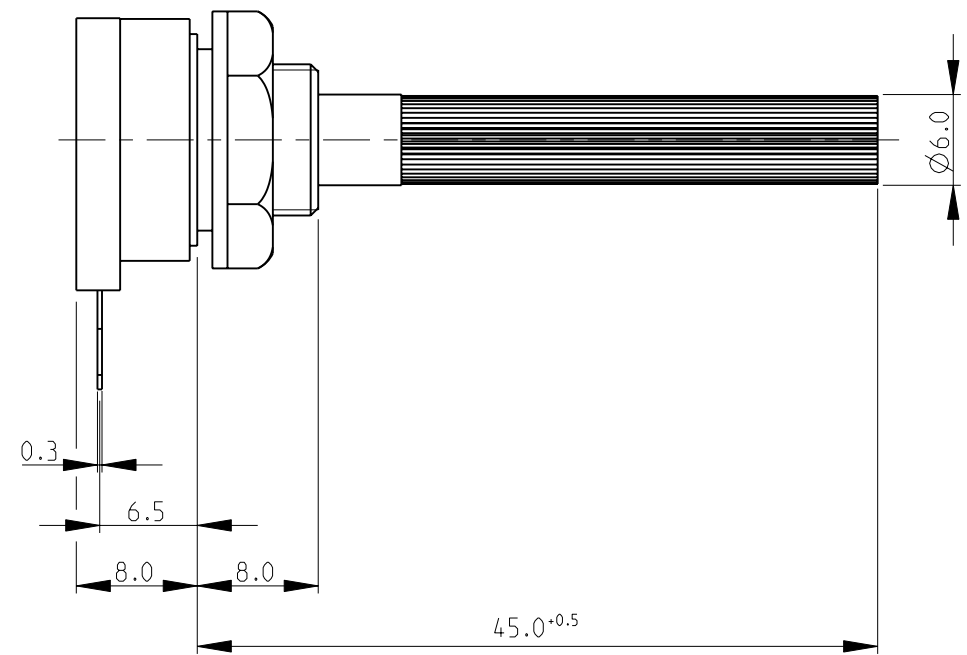


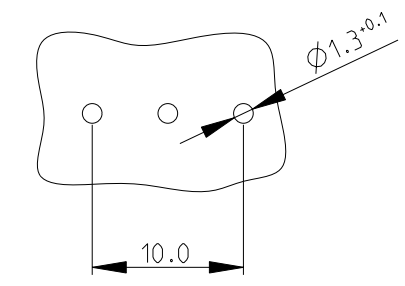
THIS DRAWING IS UNPUBLISHED. RELEASED FOR PUBLICATION 2008
 © COPYRIGHT 2008 BY - ALL RIGHTS RESERVED.

LOC		DIST		REVISIONS			
P	LTR	DESCRIPTION	DATE	DWN	APVD		
BA1		REVISED PER ECO-11-005150	28MAR2011	RK	HMR		

SERIES CP16SH10IP06*

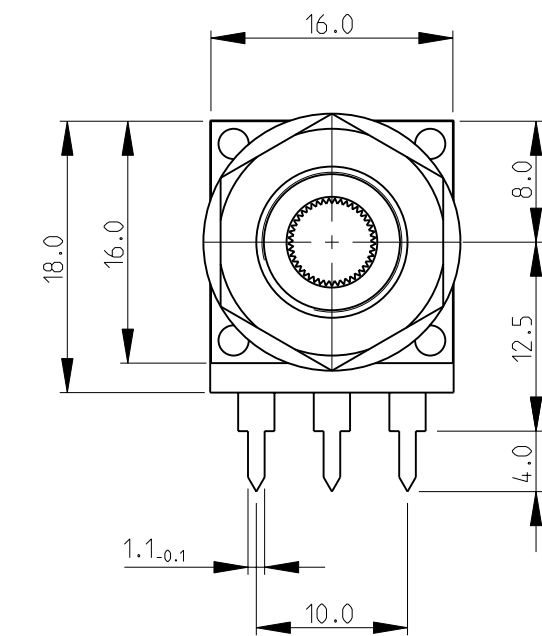
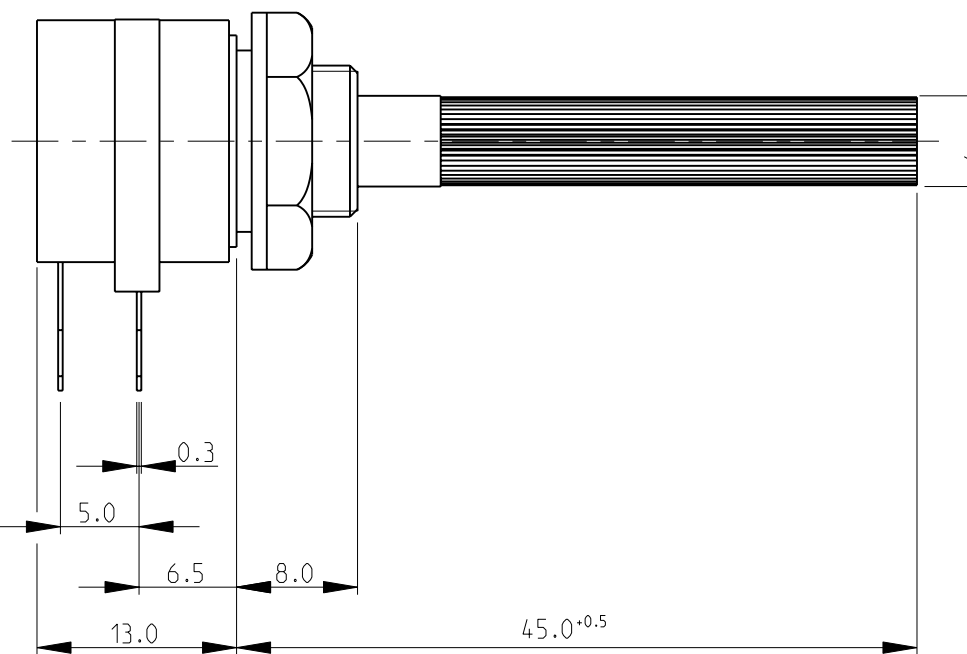


PCB LAYOUT PLAN

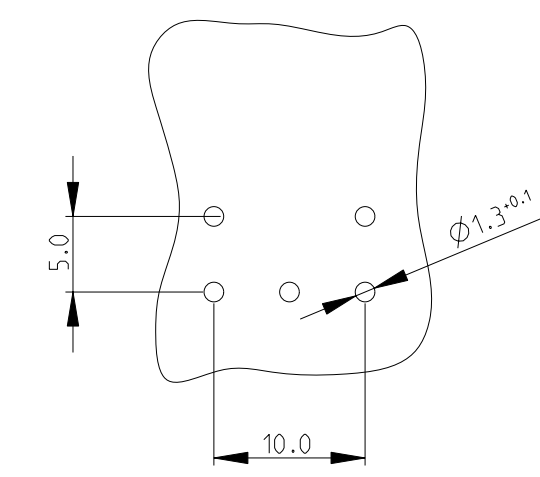


FOR FURTHER INFORMATION SEE DATA SHEET FOR SERIES CP16 - SPINDLE OPERATED POTENTIOMETERS

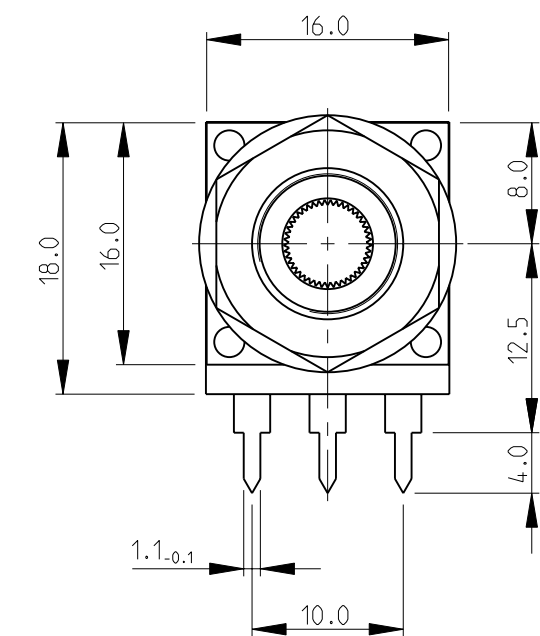
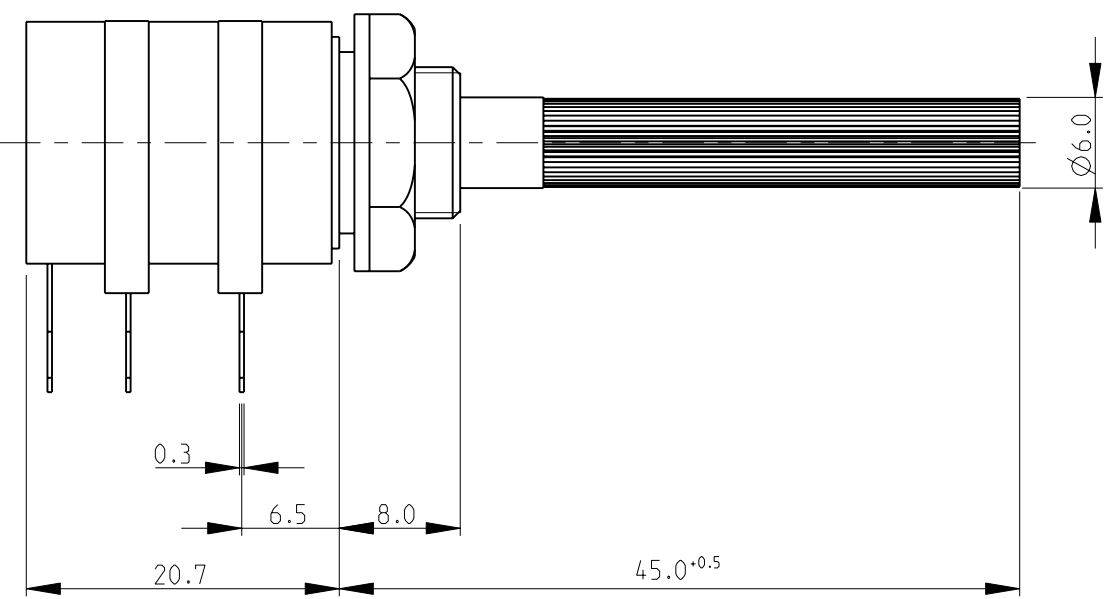
SERIES CP16SH10IP6*....I



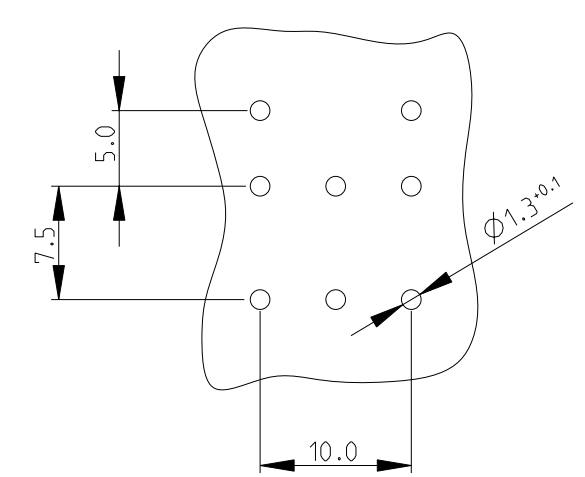
PCB LAYOUT PLAN



SERIES CP16DH10IP06*....I

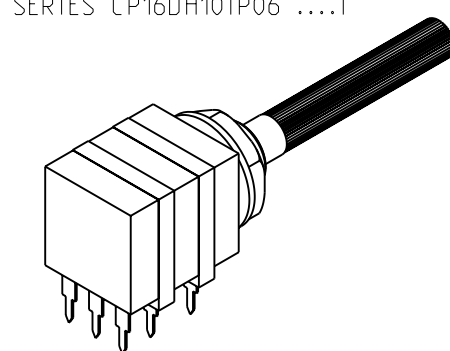


PCB LAYOUT PLAN



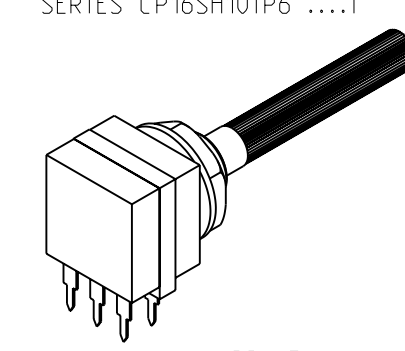
RoHS Compliant

SERIES CP16DH10IP06*....I



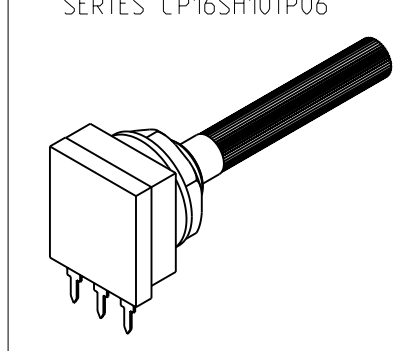
SCALE 1:1

SERIES CP16SH10IP6*....I



SCALE 1:1

SERIES CP16SH10IP06*



SCALE 1:1

THIS DRAWING IS A CONTROLLED DOCUMENT.		DWN SUBHASH.M 02-DEC-08	TE Connectivity NAME SPINDLE OPERATED POTENTIOMETER SERIES CP16	
DIMENSIONS: mm		CHK PRAKASH.S 02-DEC-08		
TOLERANCES UNLESS OTHERWISE SPECIFIED:		APVD STEPHEN.P 02-DEC-08	SIZE A2	
0 PLC ±0.2		PRODUCT SPEC -	CAGE CODE 00779	
1 PLC ±0.1		APPLICATION SPEC -	DRAWING NO 1676003	
2 PLC ±-		WEIGHT -	RESTRICTED TO -	
3 PLC ±-		MATERIAL -	SCALE 2:1	
4 PLC ±-		FINISH ±5°	SHEET 1 OF 1	
ANGLES		CUSTOMER DRAWING	REV BA1	